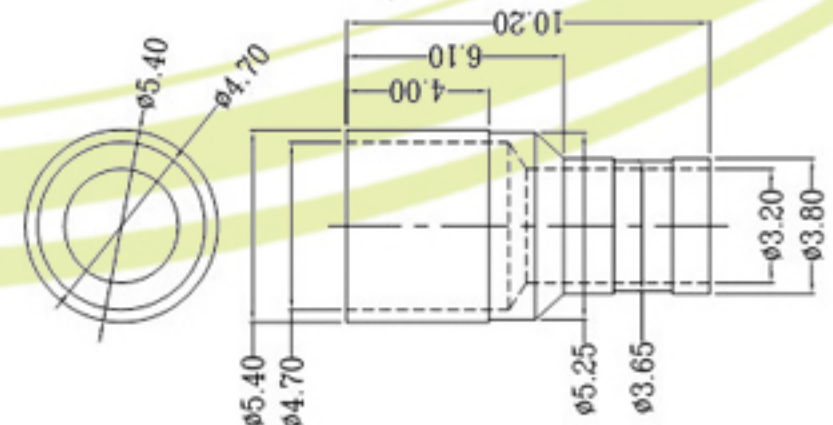
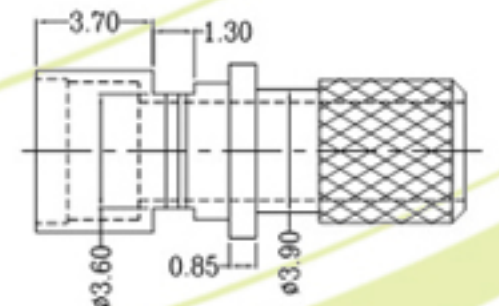
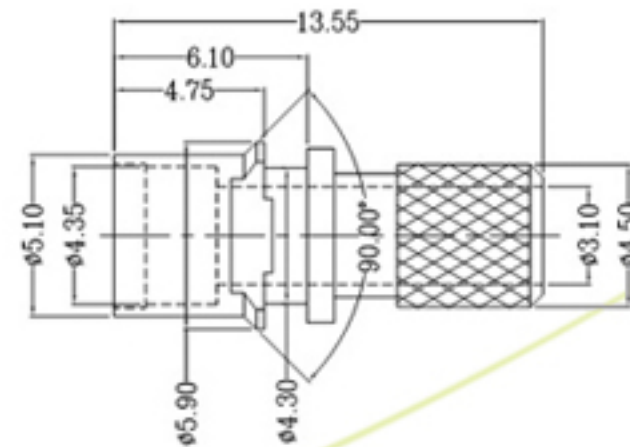
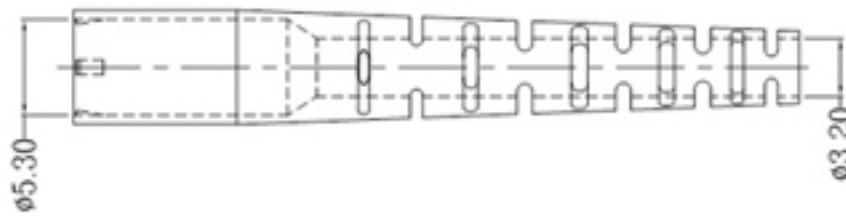
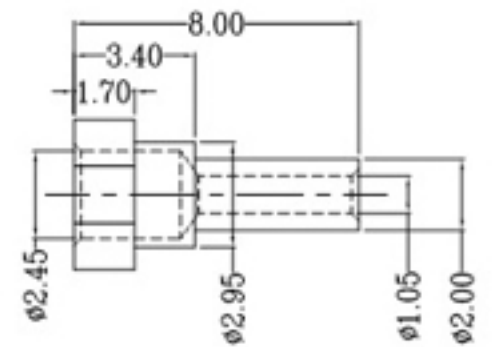
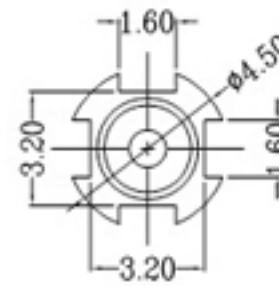
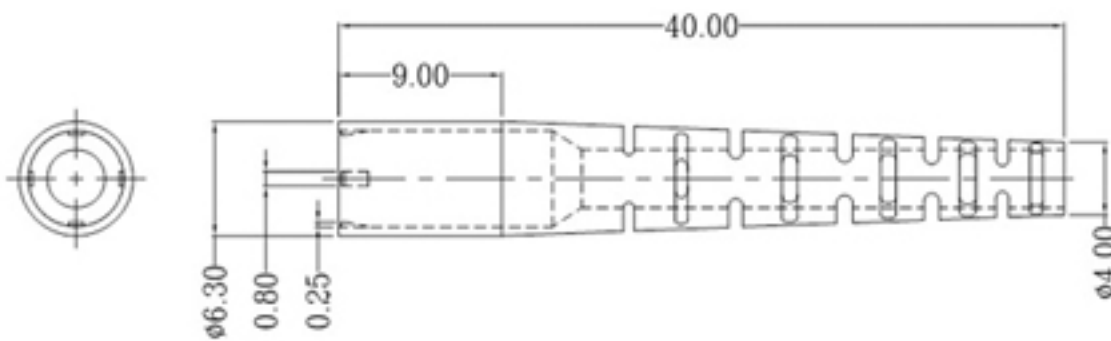
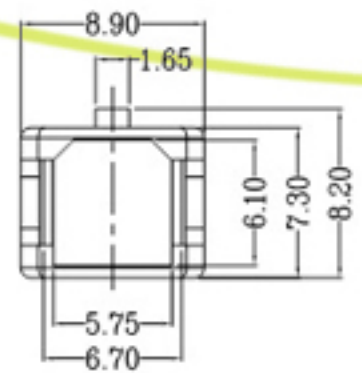
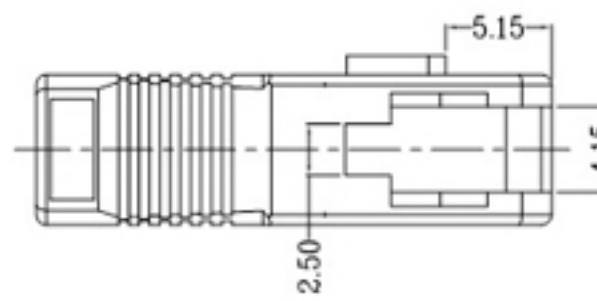
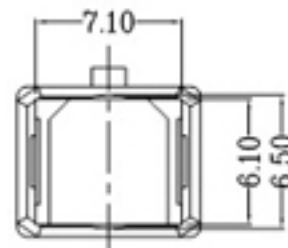
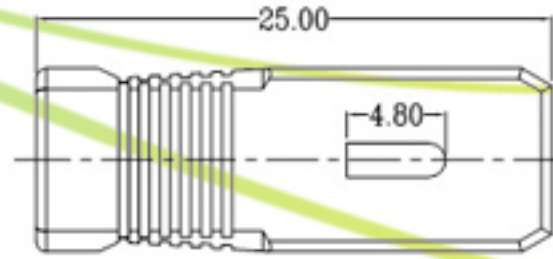


SC CONNECTOR

SC fiber connector multimode with 3.0mm boot Duplex



Specifications

Insertion loss : 0.3dB max.

Return loss : ≥ 45 dB (PC Polishing)
 ≥ 50 dB (SPC Polishing)
 ≥ 55 dB (UPC Polishing)

Durability (500 Matings): 0.2dB max. increase

Operating temperature: $-20^{\circ}\text{C} \sim +70^{\circ}\text{C}$

Storage temperature: $-40^{\circ}\text{C} \sim +80^{\circ}\text{C}$

Fully in compliance with TIA-568-B.3 performance requirements

Terminable with commonly available tools

2.5mm zirconia ferrule, wide range of ferrule hole diameter selection.

Boot size: 3.0mm, 2.0mm or 0.9mm

Pre-riedused ferrule gives fast physical contact (PC) polishing.