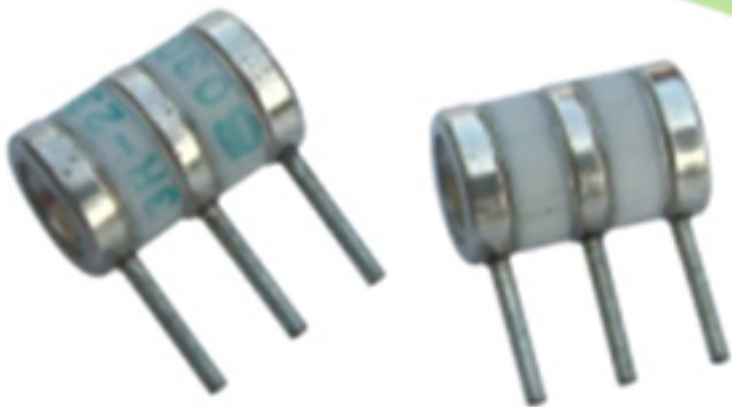


# KTUGA03P02

## 3 Electrode Gas discharge tube

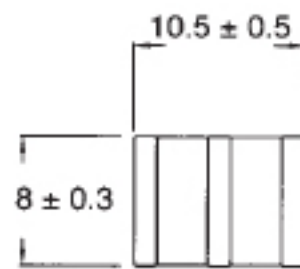


### Features:

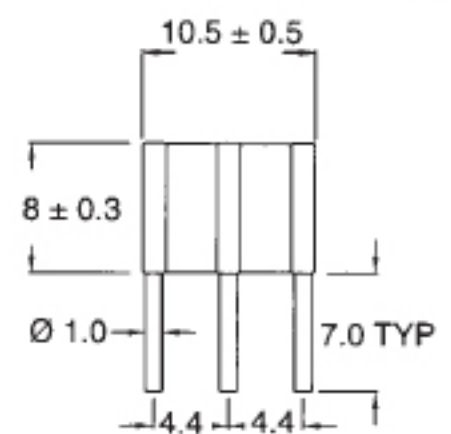
- RoHS compliant except 'RS' suffix
- Low insertion loss
- Excellent response to fast rising transients.
- Ultra low capacitance.
- 10KA surge capability tested with 8/20 $\mu$ s pulse as defined by IEC 61000-4-5
- 20,000 A single shot surge capability tested with 8/20 $\mu$ s pulse as defined by IEC 61000-4-5
- Available with thermal failsafe option (add 'F' or 'S' suffix to part number)
- ROHS Compliant

### Mechanical Specifications:

Weight: 2.7g (0.095 oz.)  
Materials: Electrode Base: Nickel Iron Alloy  
Electrode Plating: Bright Sn  
Body: Ceramic  
Device Marking: Littelfuse 'LF' marking, Voltage and date code.

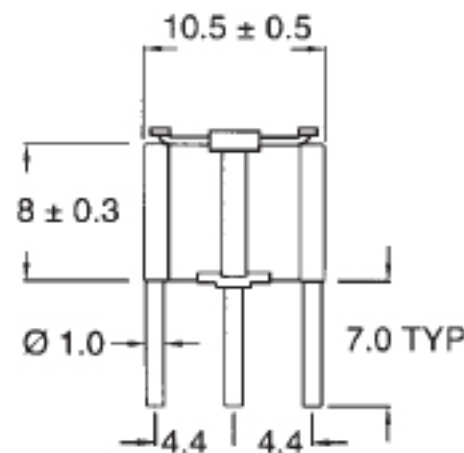


1) Standard Core = C  
SL1021A xxxC



2) 4.4 Leg Pitch = R  
SL1021A xxxR

All dimensions in mm



3) as above with wrap failsafe = RF/RS  
SL1021A xxxRF  
SL1021A xxxRS

